



Bowler Bollard



The Bowler bollard is based on the traditional bowler hat design used extensively throughout Ireland and Europe. This versatile bollard is available in a wide range of versions, stainless steel, galvanised, and powder coated in a choice of 192 standard RAL colours.

Bollard options:

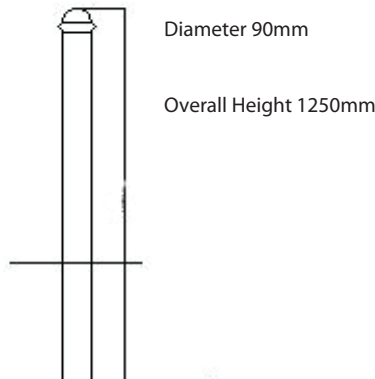
- Fixed for below ground installation
- Base plate for surface fixed
- Removable with euro profile cylinder lock
- Integrated LED light
- Eyelets for chain linking
- Laser cut logos
- High visibility markings

Product Details

- Fixed
Height 1250 mm
Diameter 90 mm
- Base Plate
Height upto 1250 mm
Diameter 90 mm
- Removable
Height overall 1250 mm
Diameter 90 mm
Height above ground 820 mm

OTHER PRODUCTS AVAILABLE

- Urban Street Furniture
- Smoke & Natural Ventilation
- Window & Door Maintenance
- Roof lights/ & Access Hatches
- Fire & Smoke Curtains
- Manual High Level Window Openers



CUSTOM SOLUTIONS

We offer custom design solutions to meet your every needs

WWW.SESSERVICES.IE

Please view our website for further details

CONTACT US

Contact: Michael Howell
Ph: + 353 (0)1 8084008
Fax: + 353 (0)1 8138301
Mobile + 353 (0)87 2554353
Email: sales@sesservices.ie



SES Services

PO Box 9714
Malahide
Co Dublin

Contact: Michael Howell

Ph: + 353 (0) 1 8084008
Fax: + 353 1(0) 8138301

Email: sales@sesservices.ie
Web: www.sesservices.ie